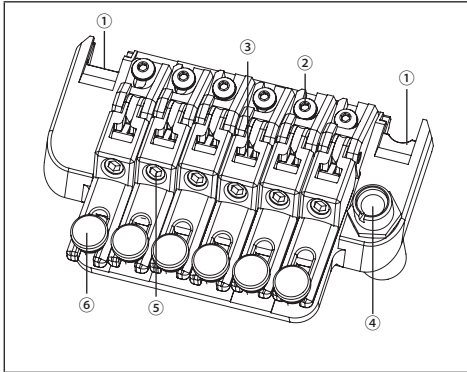


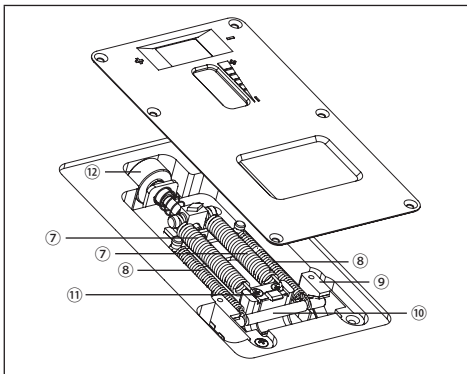
# Edge-Zero2 tremolo bridge

## Overview

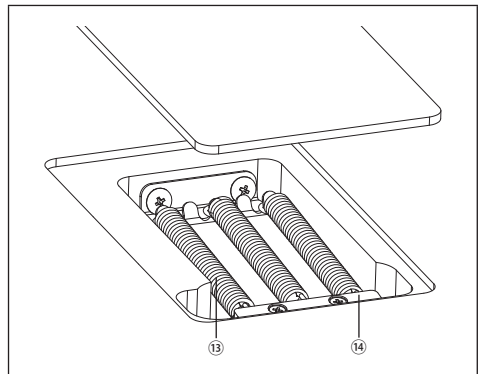


- ① knife edge
- ② saddle lock bolt
- ③ string holder block
- ④ tremolo arm socket
- ⑤ string stopper bolt
- ⑥ fine tuning bolt
- ⑦ main spring
- ⑧ sub spring
- ⑨ stopper
- ⑩ stop rod
- ⑪ tremolo block
- ⑫ spring adjustment knob
- ⑬ tremolo spring
- ⑭ spring lock

## Rear 1



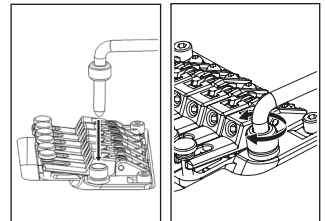
## Rear 2



EN

## ATTACHING THE TREMOLO ARM

- ① The tremolo arm employs a one-piece snap-in design with an adjustable-torque cap. Insert the tremolo arm into the arm socket of the base plate.
- ② Tighten the torque adjustment cap to secure the tremolo arm. The tremolo arm will become tighter as you tighten the torque adjustment cap.



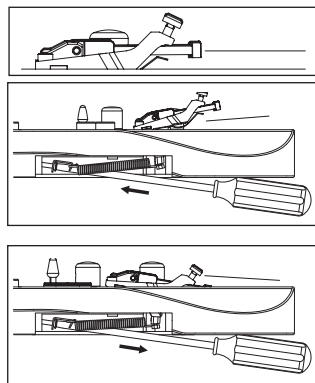
## ADJUSTMENT

### • Models not equipped with the zero point system

The tremolo attachment angle is adjusted by changing the balance between the string tension and the tension of the tremolo springs installed on the back of the guitar body. You'll obtain the best performance by adjusting the tremolo arm so that it is approximately parallel with the surface of the guitar body.



- ① With the guitar tuned correctly, check the angle of the tremolo.
- ② If the tremolo is tilted forward, insert a Philips screwdriver through the slit in the tremolo spring cover on the back of the body, and tighten the screws to increase the tension of the tremolo springs.
- ③ If the tremolo is tilted toward the rear, loosen the screws to weaken the tension of the tremolo springs.

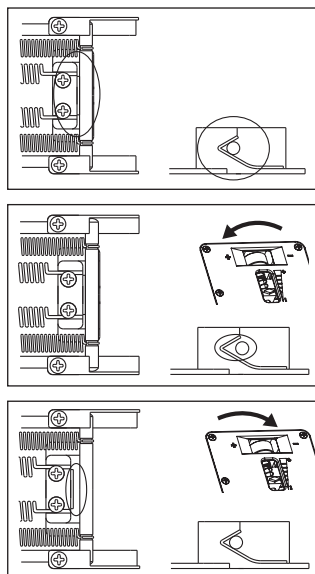


※ Because the balance of tension between the strings and the springs will change each time you adjust the tension of the tremolo springs, adjusting the tremolo angle will affect the tuning. You'll need to tune the guitar repeatedly while performing this adjustment.

#### • Models equipped with the zero point system

The angle at which the tremolo is attached is adjusted by the balance between the tension of the strings and the zero point system installed on the back of the guitar body. The Edge-Zero 2 tremolo bridge is designed so that when the zero point system is correctly adjusted, the tremolo will be approximately parallel with the surface of the guitar body, and will perform optimally when in that state.

When the zero point system is correctly adjusted, the stop rod will be in firm contact with the tremolo block and the stop rod will be touching the stopper.



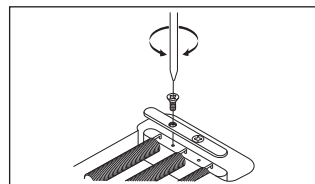
- ① With the guitar tuned correctly, check the zero point system.
- ② If the stop rod is not touching the stopper (i.e., if the tremolo block is pushing up the stop rod), turn the spring adjustment knob located on the back of the body toward the “plus” direction to tighten the main spring.
- ③ If the tremolo block is not in firm contact with the stop rod (i.e., if the tremolo is tilted toward the rear), turn the spring adjustment knob toward the “minus” direction to loosen the main spring.

#### TREMOLO SPRING / ZERO POINT SYSTEM

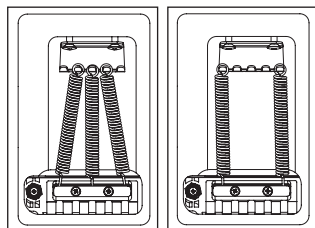
##### • Models not equipped with the zero point system

When shipped from the factory, the guitar is set up with three tremolo springs installed in parallel.

If the balance of tension between the strings and the tremolo springs has changed significantly, such as when you switch to a different gauge of strings or use a dropped tuning, you may need to change the number of tremolo springs or change the way in which they are installed.



- ① Use a Philips screwdriver to remove the spring lock.
- ② If you want to increase the tension, install the outer two tremolo springs diagonally.
- ③ If you want to decrease the tension, remove the center tremolo spring.



If you want to install four or more tremolo springs, attach them using the screw holes that were being used to attach the spring lock. (It will no longer be possible to attach the spring lock.)

#### Memo

- Loosen the strings sufficiently before you install or remove tremolo springs.  
Be aware that if you remove all of the springs, the tremolo unit will detach from the guitar.
- To reattach the tremolo, insert the knife edge of the tremolo securely into the groove of the stud bolts, and then install the tremolo springs.

#### • Models equipped with the zero point system

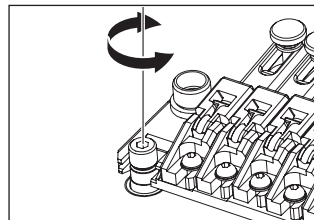
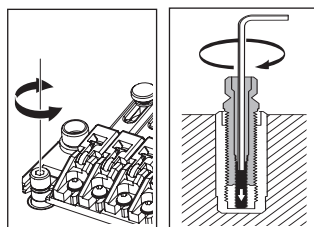
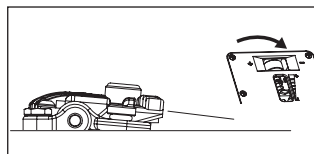
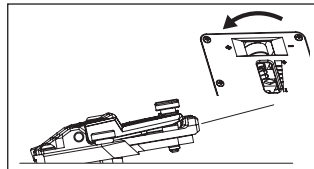
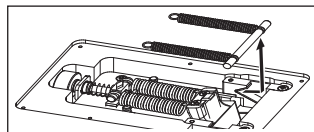
By disabling the zero point system you can use the unit as a conventional floating bridge.

When the zero point system is disabled, the angle at which the tremolo is attached will be adjusted by the balance between the tension of the strings and the tension of the main springs attached to the tremolo block.

For optimal performance, adjust the tremolo so that it is approximately parallel with the surface of the guitar body.

- ① While holding the arm in the upward position (i.e., with the tremolo block away from the stop rod), remove the stop rod and the sub-spring.
- ② With the guitar tuned correctly, check the angle of the tremolo.
- ③ If the tremolo is tilted toward the front, turn the spring adjustment knob toward the “plus” direction to tighten the main spring.
- ④ If the tremolo is tilted toward the rear, turn the spring adjustment knob toward the “minus” direction to loosen the main spring.

※ The tuning will be affected when you adjust the tremolo angle with the zero point system disabled, because the balance between the tension of the strings and the springs will change each time you adjust the tension of the tremolo springs. You'll need to tune repeatedly while making this adjustment.



#### STUD LOCK

The Edge-Zero2 tremolo bridge uses a stud lock mechanism.

- ① Insert an HEX key wrench (2 mm) through the hole in the top of the stud bolt.
  - ② Turn the stud lock bolt clockwise, tightening it until it contacts the anchor nut and can no longer rotate.
- ※ The stud lock will be released when you loosen the stud lock bolt.

#### ADJUSTING THE ACTION

To adjust the height of the entire tremolo unit, use an HEX key wrench (3 mm) to turn the stud bolts located at the left and right of the tremolo unit. (It is not possible to make adjustments for each string individually.)

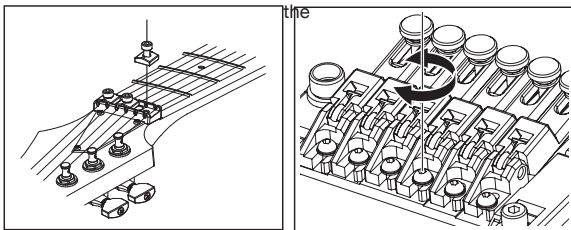
#### Memo

- Before you tune, make sure that the string stopper bolts are firmly tightened.



## ADJUSTING THE INTONATION

- ① Use an HEX key wrench (3 mm) to loosen pressure pad bolts of the locking nut, and loosen the strings sufficiently.
  - ② Use an HEX key wrench (2 mm) to loosen the saddle lock bolts, and adjust the saddle position.
- ※ Before checking the intonation, firmly tighten the saddle lock bolts and tune the guitar correctly. When you've finished making adjustments, tighten the saddle lock bolts and the pressure pad bolts of the locking nut.



## REPLACING THE STRINGS

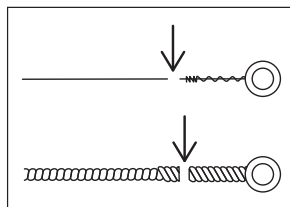
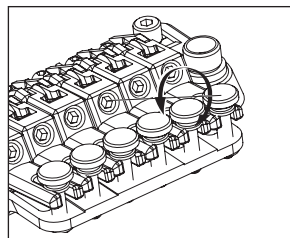
- ① Use an HEX key wrench (3 mm) to loosen the pressure pad bolts of the locking nut, and remove the string from the tuning peg.
- ② Use an HEX key wrench (3 mm) to loosen the string stopper bolt of the tremolo unit; then pull the string out of the saddle and remove it.
- ③ Use wire cutters to cut off the ball end of the new string.

- ④ Insert the tip of the string from which you cut off the ball end between the saddle and the string holder block, and tighten the string stopper bolt to fasten the string.

- ⑤ Wind the string onto the tuning peg, and tune it.

- ⑥ When you've finished tuning, tighten the pressure pad bolts of the locking nut.

※ On tremolo bridges not equipped with the zero cross system, removing all strings at the same time will cause the tremolo attachment angle to change significantly, so we recommend that you replace the strings one at a time. If you remove all strings at the same time, tuning will be easier if you wedge a piece of cloth below the tremolo to secure it so that the tremolo attachment angle won't change significantly.



## Memo

- Before you tune, make sure that the string stopper bolts are firmly tightened.

## FINE TUNING

Even after you've used the locking nuts to lock the strings, you can use the fine tuners to fine-tune each string. The range of adjustment after the strings are locked will be widest if you leave all fine-tuning bolts near the center of their adjustable range before you tune.

